

KUNKLE SAFETY AND RELIEF PRODUCTS

MODEL 338 BLOWER RELIEF VALVE

Model 338 is a non-code safety valve for air service, providing modulated lift and reseal action



Features

- Large nozzle design provides high capacity.
- Soft seat design for optimum shutoff.
- Lightweight construction.
- Valve modulates specifically for bulk transportation blower applications.
- Hardcoat anodized aluminum bonnet for corrosion protection.
- Tamper resistant cap protects factory setting.
- Each Kunkle valve is tested and inspected for pressure setting and leakage.

Technical data

Pressure and Temperature Limits

5 to 30 psig [0.69 to 2.06 barg]
-30°F to 400°F [-34°C to 204°C]

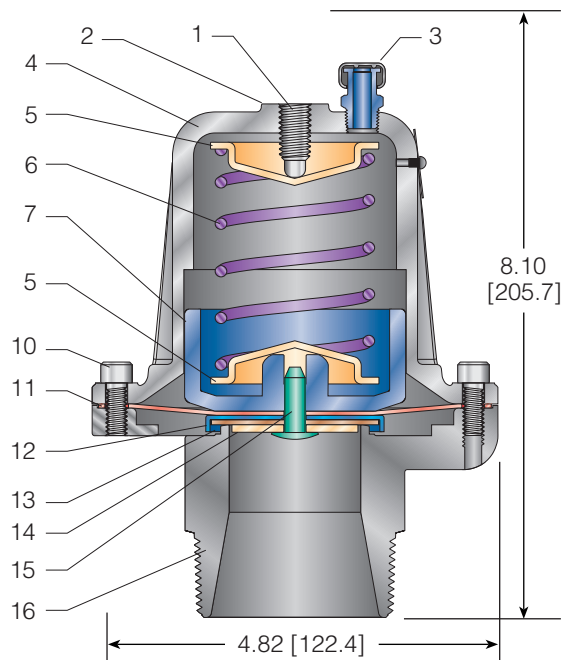
Applications

- Protection of low to medium pressure, high volume blowers.
- Bulk hauling trailers/equipment.

KUNKLE SAFETY AND RELIEF PRODUCTS

MODEL 338 BLOWER RELIEF VALVE

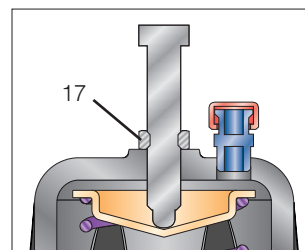
Parts and Materials



No.	Part Name	Material	Material Specification
1	Adjustment Screw	SS	SS 18-8
2	Anti-tamper Seal	Nylon	Commercial
3	Vent	CS	AISI 12L14
4	Bonnet	Aluminum	356-T6 w/anodize
5	Spring Step	Aluminum	ASTM B209-5052-H32
6	Spring	SS	17-7 or 302
7	Guide	Aluminum	356-T6 w/anodize
10	Screw	SS	SS 18-8
11	Diaphragm	Silicone	AMS-3320
12	Disc Holder	Brass	ASTM B36 Alloy 260
13	Seat Disc	Silicone	AMS-3320
14	Washer	Aluminum	6061-T6
15	Rivet, Bulb-Tite	Aluminum	Commercial
16	Nozzle	Aluminum	ASTM B26-356-T6
17	Lock Nut	SS	SS 18-8
18	Anti-tamper Sleeve	Polyolefin	VersaFit 3/4-0-FSP

Specifications		
End Connection NPT	Model	Weight lbs. [kgs]
2.0 [50.8]	338	2.7 [1.23]

Flow Capacity (Male Threaded)	
Set (psig)	Flow at Full Lift (SCFM)
5	271
7	366
9	461
12	589
15	761
18	907
20	963
23	1125
25	1220
27	1315
30	1458



Optional - Set Screw with Tamper-Evident Heat Shrink Sleeve that provides protection of factory setting

Model Number/Order Guide

Example 0 3 3 8 - H 0 1 - N M 0 0 1 5

Variation

- 01 - Male Inlet, with cut-off screw
- 02 - Male Inlet, with tamper-evident sleeve

Set Pressure

5 psig (0005) to 30 psig (0030)



5500 WAYZATA BLVD # 800, MINNEAPOLIS, MN 55416 WWW.PENTAIR.COM/VALVES

KUNKLE FACILITY PHONE: 1-828-669-3700 • WWW.KUNKLEVALVE.COM

All Pentair trademarks and logos are owned by Pentair, Ltd. All other brand or product names trademarks or registered marks of their respective owners.

Because we are continuously improving our products and services, Pentair reserves the right to change specifications without prior notice. Pentair is an equal opportunity employer.