



## KUNKLE MODEL 338 BLOWER RELIEF VALVE

SAFETY AND RELIEF PRODUCTS

A non-code blower relief valve for air service, providing modulated lift and reseal action



### FEATURES

- Large nozzle design provides high capacity.
- Soft seat design for optimum shutoff.
- Lightweight construction.
- Valve modulates specifically for bulk transportation blower applications.
- Hard coat anodized aluminum bonnet for corrosion protection.
- Tamper-resistant cap protects factory setting.
- Tested and inspected for pressure setting and leakage.

### GENERAL APPLICATION

Model 338 is suitable for the protection of low to medium pressure, high volume blowers and for use on bulk hauling trailers and equipment.

### TECHNICAL DATA

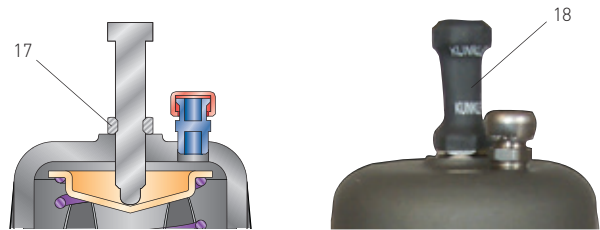
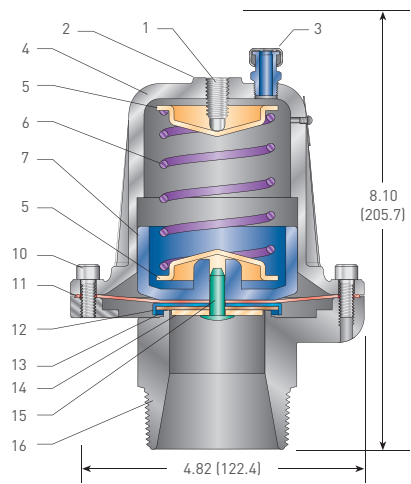
Connections:	Threaded NPT
Temperature range:	-30°F to 400°F (-34°C to 204°C)
Pressure range:	5 to 30 psig (0.34 to 2.07 barg)

# KUNKLE MODEL 338 BLOWER RELIEF VALVE

## SAFETY AND RELIEF PRODUCTS

### PARTS AND MATERIALS

No.	Part name	Material	Material specification
1	Adjustment screw	SS	SS 18-8
2	Anti-tamper seal	Nylon	Commercial
3	Vent	CS	AISI 12L14
4	Bonnet	Aluminum	356-T6 w/anodize
5	Spring step	Aluminum	ASTM B209-5052-H32
6	Spring	SS	17-7 or 302
7	Guide	Aluminum	356-T6 w/anodize
10	Screw	SS	SS 18-8
11	Diaphragm	Silicone	AMS-3320
12	Disc holder	Brass	ASTM B36 Alloy 260
13	Seat disc	Silicone	AMS-3320
14	Washer	Aluminum	6061-T6
15	Rivet, bulb-tite	Aluminum	Commercial
16	Nozzle	Aluminum	ASTM B26-356-T6
17	Lock nut	SS	SS 18-8
18	Anti-tamper sleeve	Polyolefin	VersaFit 3/4-0-FSP



**Optional** - set screw with tamper-evident heat shrink sleeve that provides protection of factory setting

### SPECIFICATIONS

End connection	Model	Weight
NPT		lbs. (kgs)
2" (50.8 mm)	338	2.7 (1.23)

### FLOW CAPACITY (MALE THREADED)

Set (psig)	Flow at full lift (SCFM)
5	271
7	366
9	461
12	603
15	746
18	888
20	983
23	1125
25	1220
27	1315
30	1458

### SELECTION GUIDE

**Example:** 0338 - H 01 - N M 0015

Model  
0338

**Variation**  
**01** Male Inlet, with cut-off screw  
**02** Male Inlet, with tamper-evident sleeve

**Set pressure**  
 5 psig (0005) to 30 psig (0030)