

VAREC 7000 SERIES
MUSHROOM (FREE) VENTS

The 7000 Series free vents are typically used on atmospheric tanks which contain non-volatile liquids.



Applications

The 7000 Series vents directly to atmosphere. The large opening and streamlined weather hood are designed to minimize back pressure. The 7000 Series is designed to bolt directly to a standard flange on the tank top. It may also be mounted on a flame arrester.

Features

The Varec 7000 Series Free Vent is constructed of corrosion resistant aluminum to ensure durability and to minimize weight. It is available in flange sizes 2" to 12", and will bolt to a standard 150# flat faced ANSI flange.

Technical data

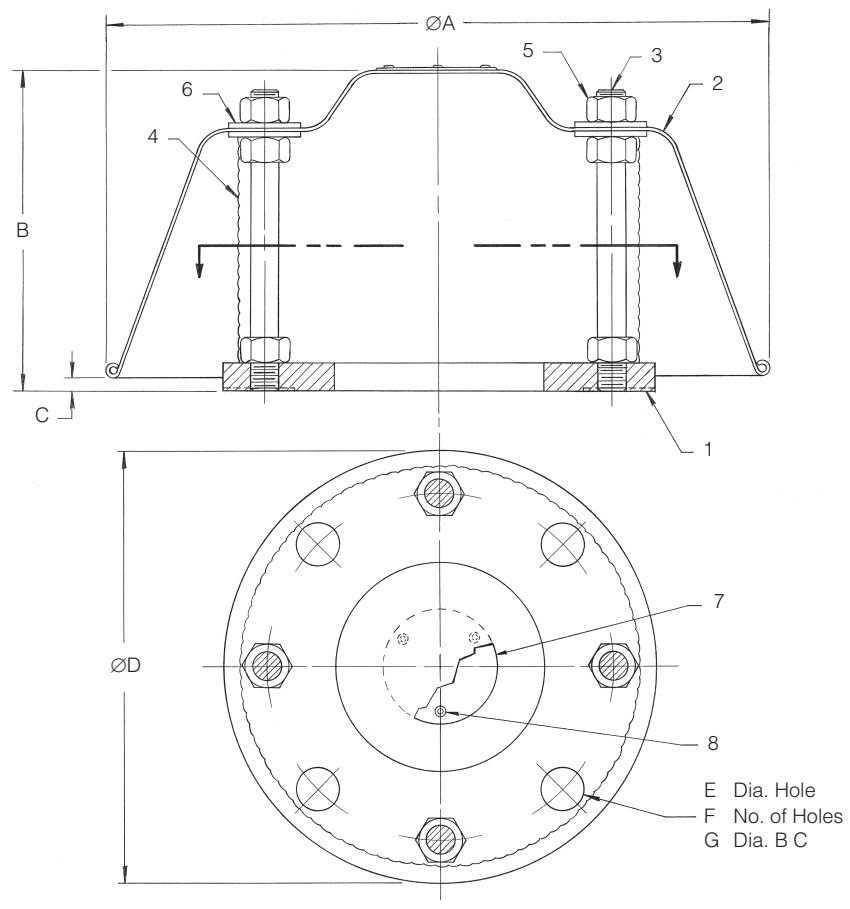
- 2" to 12" sizes available.
- Aluminum/carbon steel construction.
- Base made of corrosion resistant 356-T6 Aluminum.
- Spun aluminum weather hood.
- Polyethylene mesh screen to prevent entry of foreign matter.

VAREC 7000 SERIES
MUSHROOM (FREE) VENTS

Specifications

Dimensions, in. [mm]		02	03	04	06	08	10	12
Size Code								
	Nominal Pipe Size	2 [50]	3 [80]	4 [100]	6 [150]	8 [200]	10 [250]	12 [300]
A	Hood Diameter	9 ⁷ / ₈ [251]	11 ¹ / ₂ [292]	13 ⁵ / ₈ [346]	16 ⁵ / ₈ [422]	20 [508]	23 ⁵ / ₈ [600]	26 ¹ / ₂ [673]
B	Hood Height	4 ³ / ₄ [121]	5 ⁵ / ₈ [143]	6 ¹ / ₈ [156]	7 ³ / ₄ [197]	7 ³ / ₄ [197]	7 ³ / ₄ [197]	7 ³ / ₄ [197]
C	Vertical Opening Height	1/4 [6]	1/4 [6]	1/4 [6]	9/16 [14]	9/16 [14]	5/16 [8]	5/16 [8]
D	Flange Diameter	6 [152]	7 ¹ / ₂ [191]	9 [229]	11 [279]	13 ¹ / ₂ [343]	16 [406]	19 [483]
E	Hole Diameter	3/4 [19]	3/4 [19]	3/4 [19]	7/8 [22]	7/8 [22]	1 [25]	1 [25]
F	Number of Holes	4	4	4	4	4	6	6
G	Bolt Circle Diameter	4 ³ / ₄ [121]	6 [152]	7 ¹ / ₂ [191]	9 ¹ / ₂ [241]	11 ³ / ₄ [298]	14 ¹ / ₄ [362]	17 [432]

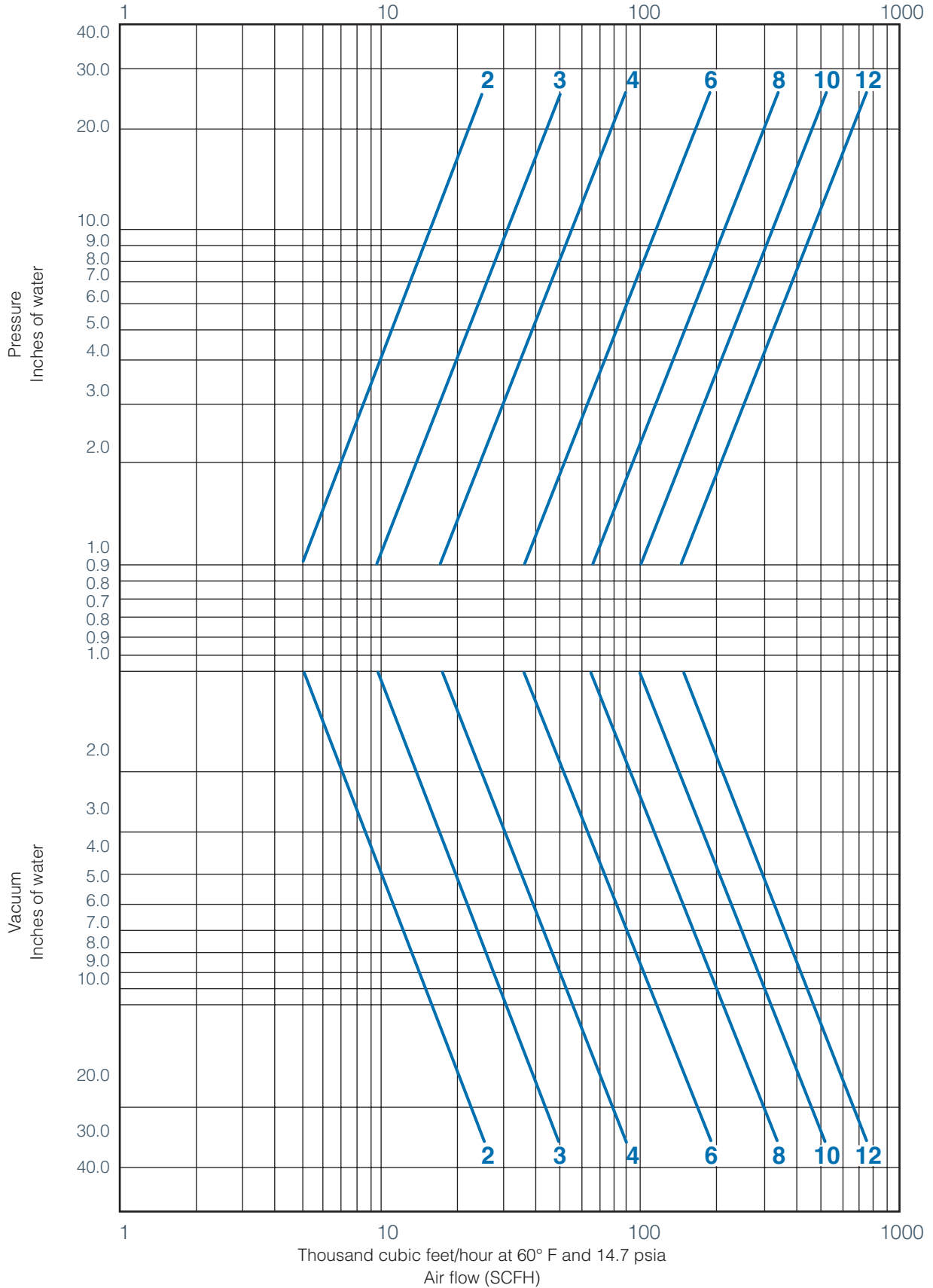
Materials of Construction		
Item	Description	Standard Material
1	Base Flange	Aluminum
2	Hood	Aluminum
3	Support Post	Carbon Steel
4	Screen	HDPE
5	Hex Nut	Carbon Steel/ZN PL
6	Washer	Carbon Steel/ZN PL
7	Name Plate	Aluminum
8	Rivet	Aluminum



VAREC 7000 SERIES
MUSHROOM (FREE) VENTS

Specifications

Figure 7000 Free Vents



VAREC 7000 SERIES
MUSHROOM (FREE) VENTS

Ordering Information

Model	Description	
7000	Mushroom Free Vent (Aluminum Construction)	
	Code	Size
	02	2"
	03	3"
	04	4"
	06	6"
	08	8"
	10	10"
	12	12"

7000 06 (Example)

Example: 6" Model 7000 Mushroom Free Vent.



5500 WAYZATA BLVD # 800, MINNEAPOLIS, MN 55416 WWW.PENTAIR.COM/VALVES
All Pentair trademarks and logos are owned by Pentair, Inc. All other brand or product names are trademarks or registered marks of their respective owners. Because we are continuously improving our products and services, Pentair reserves the right to change specifications without prior notice. Pentair is an equal opportunity employer.