



VAREC 7000 SERIES MUSHROOM (FREE) VENTS

Corrosion resistant, lightweight vents with a large opening and streamlined weather hood designed to minimize back pressure



FEATURES

- Corrosion resistant aluminum construction ensures durability and minimizes weight.
- Designed to bolt directly to a standard 150# flat faced ANSI flange on the tank top.
- May also be mounted on a flame arrester.
- Vents directly to atmosphere.
- Base made of corrosion-resistant 356-T6 aluminum.
- Spun aluminum weather hood.
- Polyethylene mesh screen prevents entry of foreign matter.

GENERAL APPLICATION

The 7000 Series free vents are typically used on atmospheric tanks which contain non-volatile liquids.

TECHNICAL DATA

Material:	Aluminum/carbon steel
Sizes:	2" to 12" (50 to 300 mm)
Connections:	Bolted (4 to 6 holes)

VAREC 7000 SERIES MUSHROOM (FREE) VENTS

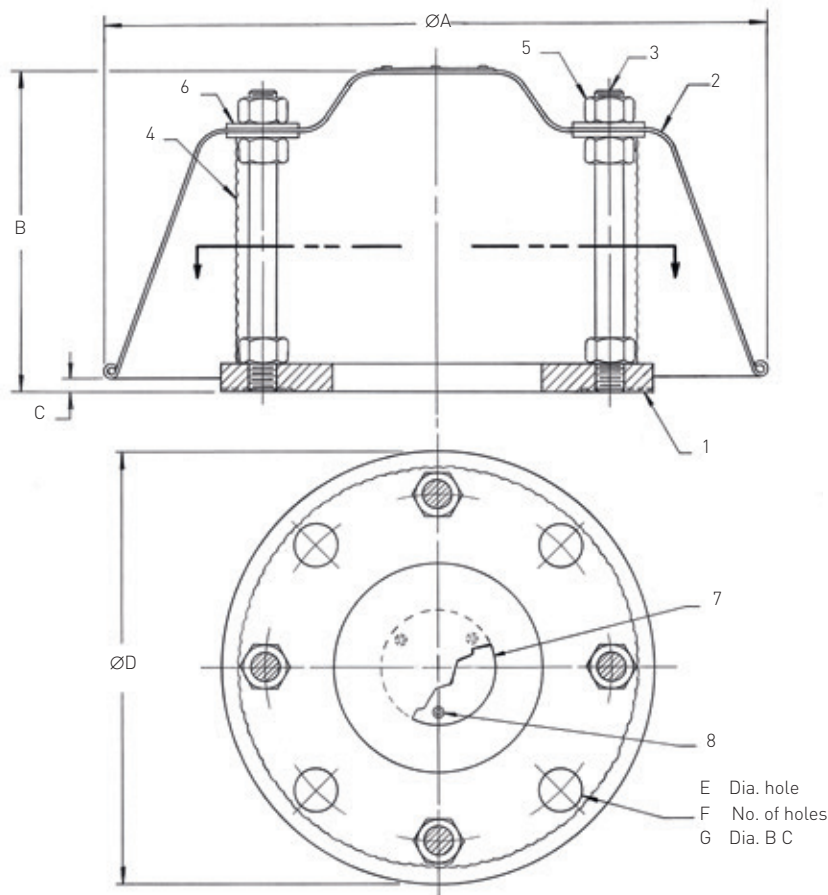
SPECIFICATIONS

DIMENSIONS - inches (mm)

Size code	02	03	04	06	08	10	12
Nominal pipe size	2 (50)	3 (80)	4 (100)	6 (150)	8 (200)	10 (250)	12 (300)
A Hood diameter	9 ⁷ / ₈ (251)	11 ¹ / ₂ (292)	13 ³ / ₈ (346)	16 ⁵ / ₈ (422)	20 (508)	23 ³ / ₈ (600)	26 ¹ / ₂ (673)
B Hood height	4 ³ / ₄ (121)	5 ⁵ / ₈ (143)	6 ¹ / ₈ (156)	7 ³ / ₄ (197)	7 ³ / ₄ (197)	7 ³ / ₄ (197)	7 ³ / ₄ (197)
C Vertical opening height	1/4 (6)	1/4 (6)	1/4 (6)	9/16 (14)	9/16 (14)	5/16 (8)	5/16 (8)
D Flange diameter	6 (152)	7 ¹ / ₂ (191)	9 (229)	11 (279)	13 ¹ / ₂ (343)	16 (406)	19 (483)
E Hole diameter	3/4 (19)	3/4 (19)	3/4 (19)	7/8 (22)	7/8 (22)	1 (25)	1 (25)
F Number of holes	4	4	4	4	4	6	6
G Bolt circle diameter	4 ³ / ₄ (121)	6 (152)	7 ¹ / ₂ (191)	9 ¹ / ₂ (241)	11 ³ / ₄ (298)	14 ¹ / ₄ (362)	17 (432)

MATERIALS OF CONSTRUCTION

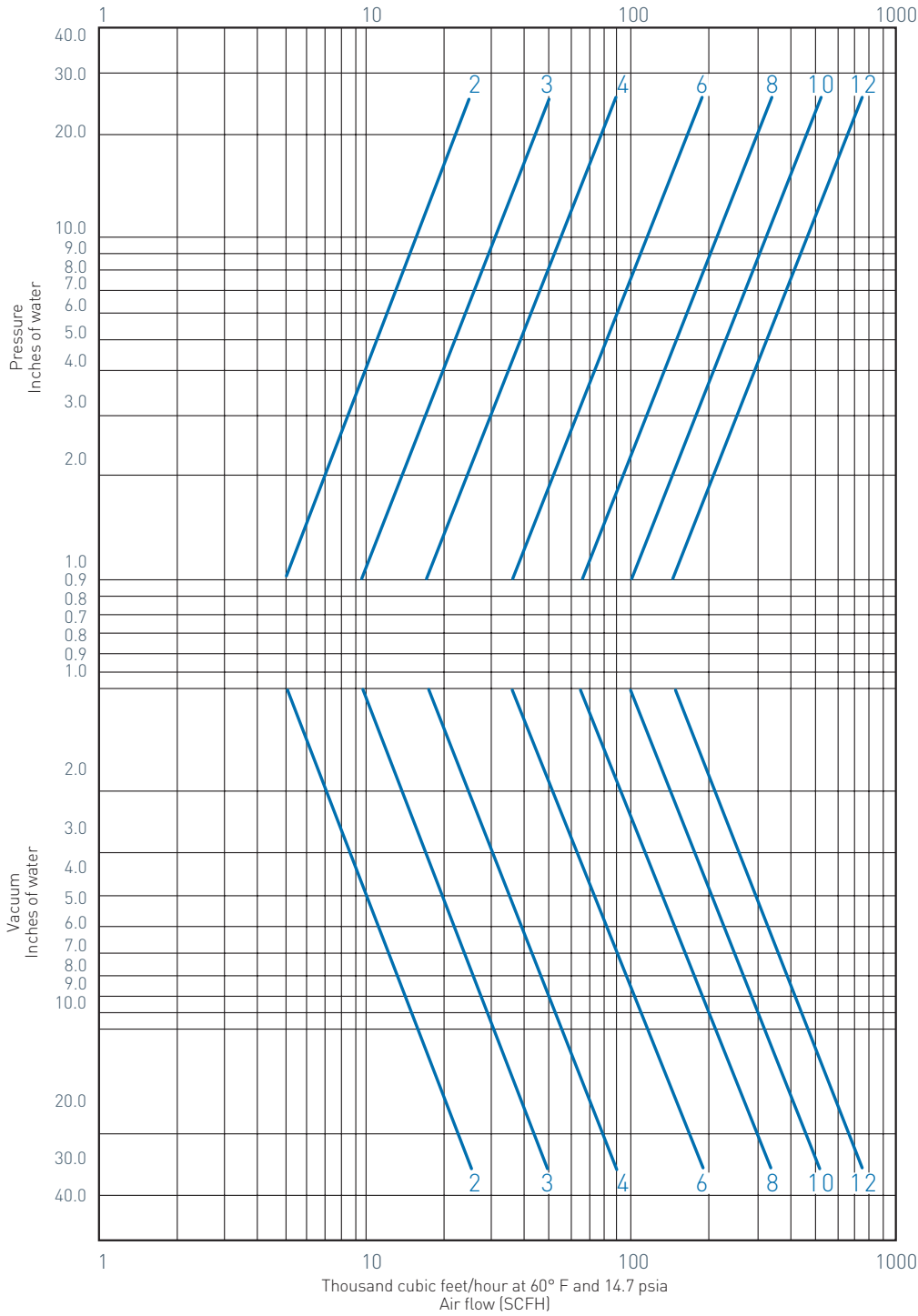
Item	Description	Standard material
1	Base flange	Aluminum
2	Hood	Aluminum
3	Support post	Carbon steel
4	Screen	HDPE
5	Hex nut	Carbon steel/ZN PL
6	Washer	Carbon steel/ZN PL
7	Name plate	Aluminum
8	Rivet	Aluminum



VAREC 7000 SERIES MUSHROOM (FREE) VENTS

SPECIFICATIONS

FIGURE 7000 FREE VENTS



VAREC 7000 SERIES MUSHROOM (FREE) VENTS

ORDERING INFORMATION

SELECTION GUIDE

Example:	7000	06
Model		
7000	Mushroom free vent (aluminum construction)	
Configuration		
02	2"	
03	3"	
04	4"	
06	6"	
08	8"	
10	10"	
12	12"	

Example: 6" Model 7000 mushroom free vent